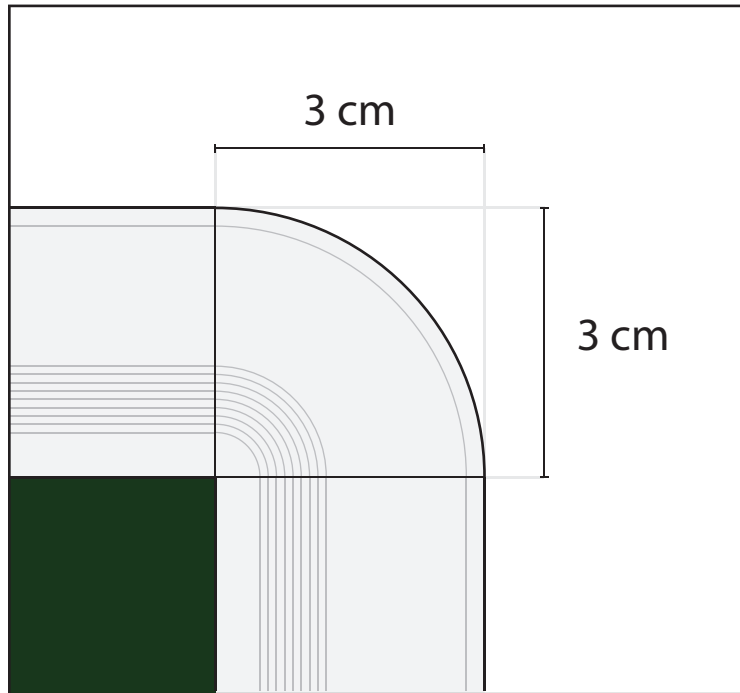
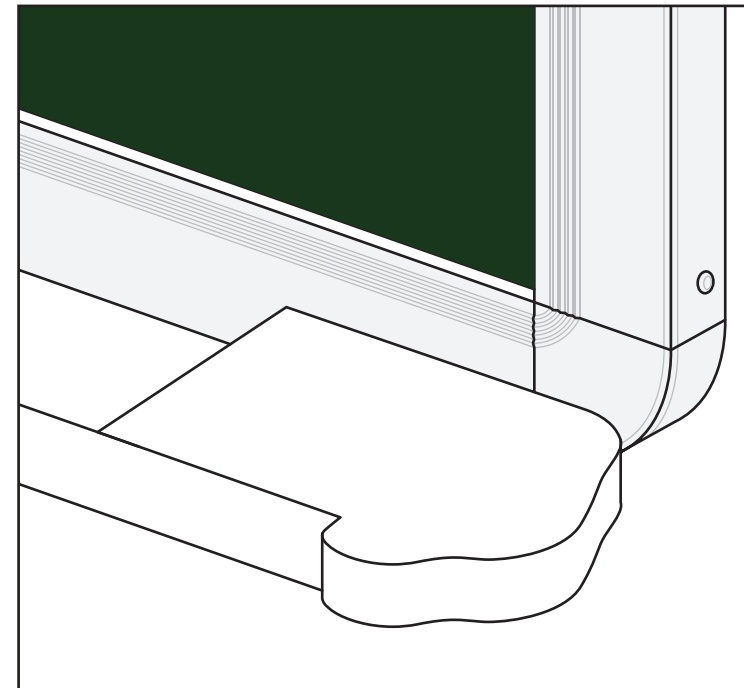


### Green Board

<i>Product Code</i> StHQGr01-492		<i>Show</i> Front view model	
<i>Product Description</i> Premium Green Board for Writing 126 cm × 492 cm Laminated with Matt Chalk Film BF-113GAC With White Aluminum Frame		<i>Manufacturer</i> C.S.R.TECHNO PRODUCT CO.,LTD 94/5 M3, Banggruai-Sainoi Rd., Bangrakpattana, Bang Bua Thong, Nonthaburi, Thailand, zipcode 11110	
<i>Quotation Reference</i>	<i>Approval</i>	<i>Structural Designer</i> Daeng Sirithanasup	
		<i>Contact</i> admin@csrtechnoproduct.com	<i>Page</i> 1 of 5

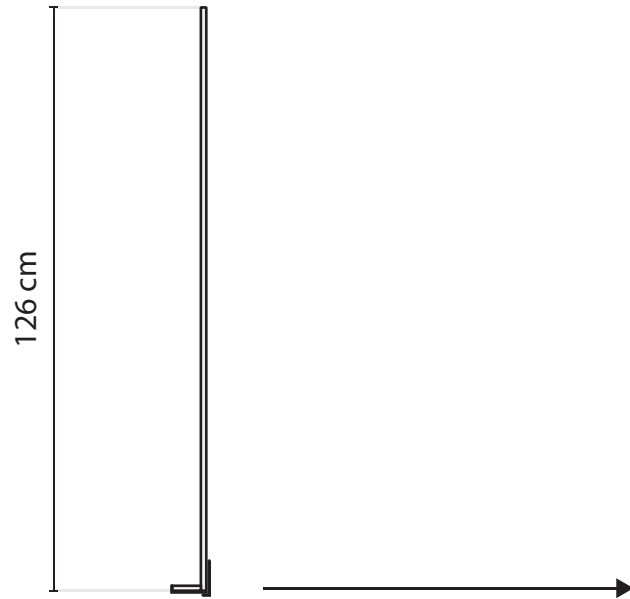


**ABS Plastic Corner**

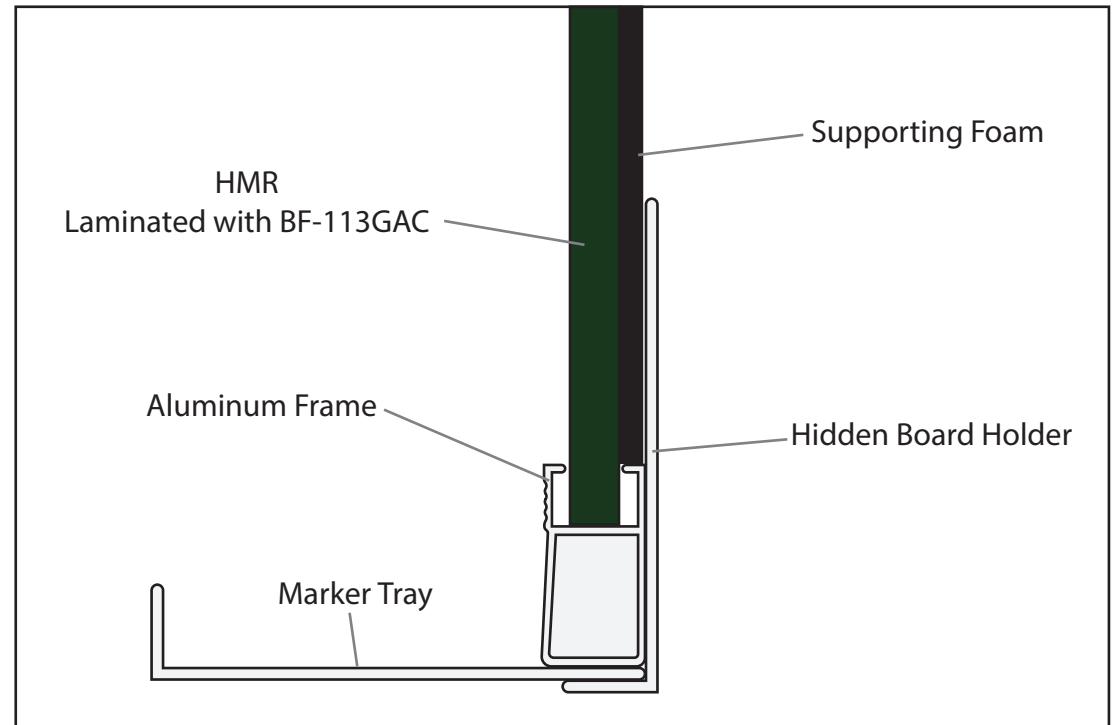


**Rubber Bumper for Marker Tray**

<i>Product Code</i>		StHQGr01-492		<i>Show</i>		Elements	
<i>Product Description</i>		Premium Green Board for Writing 126 cm × 492 cm Laminated with Matt Chalk Film BF-113GAC With White Aluminum Frame		<i>Manufacturer</i>		C.S.R.TECHNO PRODUCT CO.,LTD 94/5 M3, Banggruai-Sainoi Rd., Bangrakpattana, Bang Bua Thong, Nonthaburi, Thailand, zipcode 11110	
<i>Quotation Reference</i>		<i>Approval</i>		<i>Structural Designer</i>		Daeng Sirithanasup	
				<i>Contact</i>		admin@csrtechnoproduct.com	
						<i>Page</i> 2 <i>of</i> 5	



**Side-view Green Board**



**Cross-sector inside structure**

<i>Product Code</i> StHQGr01-492		<i>Show</i> Side view	
<i>Product Description</i> Premium Green Board for Writing 126 cm × 492 cm Laminated with Matt Chalk Film BF-113GAC With White Aluminum Frame		<i>Manufacturer</i> C.S.R.TECHNO PRODUCT CO.,LTD 94/5 M3, Banggruai-Sainoi Rd., Bangrakpattana, Bang Bua Thong, Nonthaburi, Thailand, zipcode 11110	
<i>Quotation Reference</i>	<i>Approval</i>	<i>Structural Designer</i> Daeng Sirithanasup	
		<i>Contact</i> admin@csrtechnoproduct.com	<i>Page</i> 3 of 5



**Green Board with no Marker Tray**



**Rubber Bumper  
At The Edge of Marker Tray**



**Real Inside Structure**

<i>Product Code</i>		StHQGr01-492		<i>Show</i>		Real view	
<i>Product Description</i>		Premium Green Board for Writing 126 cm × 492 cm Laminated with Matt Chalk Film BF-113GAC With White Aluminum Frame		<i>Manufacturer</i>		C.S.R.TECHNO PRODUCT CO.,LTD 94/5 M3, Banggruai-Sainoi Rd., Bangrakpattana, Bang Bua Thong, Nonthaburi, Thailand, zipcode 11110	
<i>Quotation Reference</i>		<i>Approval</i>		<i>Structural Designer</i>		Daeng Sirithanasup	
				<i>Contact</i>		admin@csrtechnoproduct.com	
						<i>Page</i> 4 <i>of</i> 5	



## Writing Board Specification

StHQGr01-492

Surface: Matte Green Chalk Film BF-113GAC

### Product Specification

1. High moisture resistant wood preservative both side polished and molded without trace along the wood.
2. Material Dimension: wooden sheet Hight:Width (122 cm : 488 cm), 6mm thick. Overall including aluminum frame hight:Width (126 cm : 492 cm)
3. Board surface is laminated with "Matte Matte Green Chalk Film BF-113GAC", green color, type Matte & Anti glare with 13±5(GU) at 60° angle.
4. Every liquid chalk marker and dustless chalk could be written on the surface. Easy erase with damp cloth, sponge or microfiber fabric. The surface is laminated for easy erase, chemical cleaning product would not be needed.
5. Board surface has no any HOTSPOT and reflection on screen.
6. White aluminum frame (width 27±0.3mm) (Height 15±0.3mm)(Thick 1.2±0.3). Round cornered ABS plastic.
7. Optionally add marker tray from white colored aluminum. Both end of the marker tray attached with tray bumper for protection.
8. Green Board can be installed with bulletin board add-on. Bulletin board spec: synthetic rubber with velvet cover. Size could be equivalent hight with the board customizable.
9. High quality product with QC by the manufacture and meet the standard of C.S.R Techno Product Co.ltd (authorized dealer in Thailand)
10. Green Board could last 20 years if used within the instruction

### Usage

1. Green Board for writing, can be written with liquid chalk marker and dustless chalk.
2. Cleaning the surface with fabric, sponge or CSR's 3-in-1 eraser kit to expand the lifespan.

### Warranty

1. 1 year easy erase starting from the day of first use.
2. 2 years Green Board will not bubble up and disfigured when used and installed with instruction from the company.

<i>Product Code</i>		StHQGr01-492	<i>Show</i>		Specification
<i>Product Description</i>		Premium Green Board for Writing 126 cm × 492 cm Laminated with Matt Chalk Film BF-113GAC With White Aluminum Frame	<i>Manufacturer</i>		C.S.R.TECHNO PRODUCT CO.,LTD 94/5 M3, Banggruai-Sainoi Rd., Bangrakpattana, Bang Bua Thong, Nonthaburi, Thailand, zipcode 11110
<i>Quotation Reference</i>		<i>Approval</i>		<i>Structural Designer</i> Daeng Sirithanasup	
				<i>Contact</i>	admin@csrtechnoproduct.com
				<i>Page</i>	5 of 5